

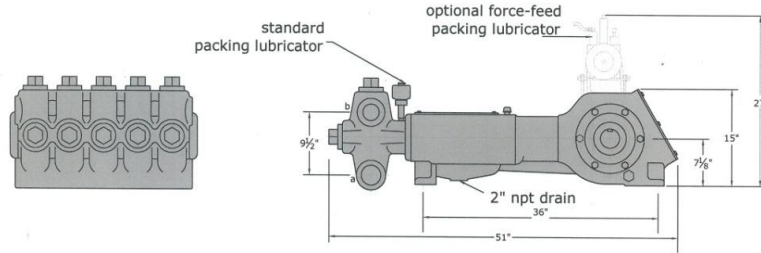
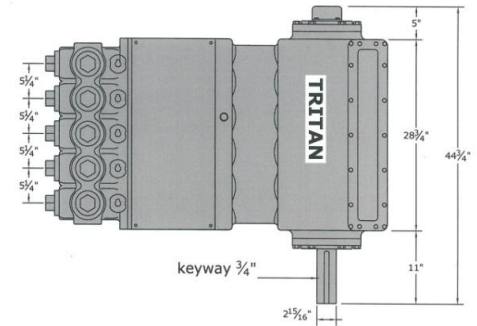
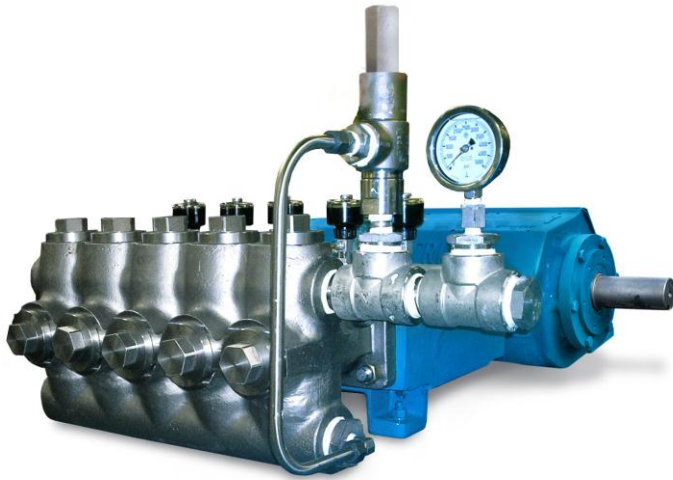


McFarland – TriTan, LLC
 The “High Pressure” Specialists!

Series 5200 AB/DI/SS

Quintuplex Plunger Pumps

Pressure to 5,500 PSI | Flow to 267 GPM | Power to 250 HP



DISPLACEMENT VOLUME (100% VOL.EFF.)			PUMP SPEED IN CRANKSHAFT REVOLUTIONS PER MINUTE											
			1-1/4" 5,500 PSI	1-3/8" 5,250 PSI	1-1/2" 5,000 PSI	1-5/8" 4,795 PSI	1-3/4" 4,135 PSI	2" 3,165 PSI	2-1/4" 2,500 PSI	2-1/2" 2,025 PSI	3" 1,305 PSI			
GPM	BPH	BPD												
5	7	168	54											
10	14	336	108	89	75	64	55							
15	21	504	161	133	112	95	82	63	50					
20	29	672	215	178	149	127	110	84	66	54				
25	36	840	269	222	187	159	137	105	83	67				
30	43	1,032	323	267	224	191	165	126	100	81	56			
35	50	1,200	376	311	261	223	192	147	116	94	65			
40	57	1,368	430	356	299	255	220	168	133	108	75			
45	64	1,536	483	400	336	286	247	189	149	121	84			
50	71	1,704		444	373	318	274	210	166	134	94			
60	86	2,040			448	382	329	252	199	161	112			
70	100	2,400				446	384	294	232	188	131			
80	114	2,736				509	439	336	266	215	150			
90	129	3,072					494	378	299	242	169			
100	143	3,430						420	332	269	188			
115	164	3,935						483	382	309	216			
130	186	4,440							432	350	244			
145	207	4,970							481	390	272			
160	229	5,508								430	300			
185	265	6,360								497	347			
240	343	8,229									450			
267	381	9,180									500			
GPM FACTOR			0.0930	0.1125	0.1339	0.1571	0.1822	0.2380	0.3012	0.3719	0.5355			
BPH FACTOR			0.1329	0.1607	0.1913	0.2244	0.2603	0.3400	0.4303	0.5313	0.7650			
500 Max RPM BHP=(GPM XPSI) / 1543 All figures based on 100% volumetric efficiency														

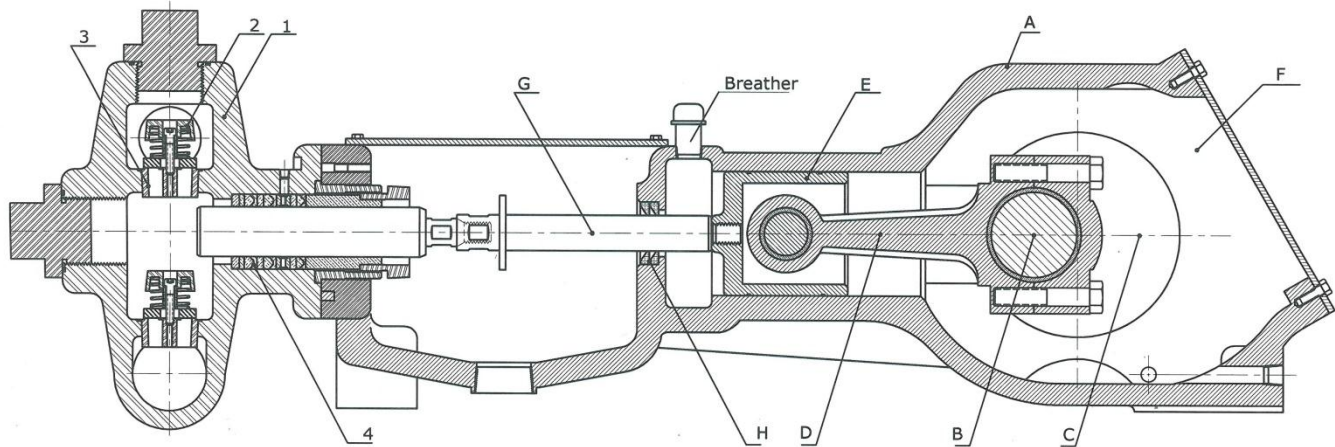
921 Seaco Court, Deer Park, TX 77536, USA

Tel: 1-713-864-3366 / Fax: 1-713-864-3252

Email: sales@tritanpump.com

www.tritanpump.com

Series 5200 AB/DI/SS



SPECIFICATIONS

- * Number of Plungers 5
- * Stroke Length: 3-1/2" (89 mm)
- * Plunger Load 9940 lbs
- * Pump Weight 1875 lbs
- * Oil Capacity 4 U.S gallons
- * Suction Connection 2-1/2" NPT
- * Discharge Connection 2"

FLUID END

- 1) Fluid End Body:** One piece cast ductile iron or Aluminum Bronze.
- 2) Valves:**
 - A- CELCON Valve-Bronze seat or
 - B- CELCON Valve- stainless steel seat.
 - C- Hardened stainless steel valve & seat
- 3) Tapered seated valve decks.**
- 4) Plungers:** Plunger materials available are: colmonoy coated stainless steel, ceramic, and tungsten carbide.

Services:

- * Crude Oil
- * Fresh Water
- * Salt Water
- * Corrosive Fluids

POWER END

- A) Power Frame:** High strength gray iron alloy casting with heavy wall sections well ribbed to insure rigid construction, totally enclosed with sealed access cover
- B) Crankshaft:** Ductile iron for inherent shock load damping, mounted with center line of shaft on center line of cross-head. Crankshafts may extend from either side.
- C) Crankshaft Bearings:** Interchangeable heavy duty roller bearing. Minimum L-10 rated life of 60,000 hours at maximum RPM.
- D) Connecting Rods:** All TriTan plunger pumps are equipped with H-type connecting rods, with replaceable inserts.
- E) Crossheads:** High strength alloy castings, cross head and guides are Cylindrical for maximum bearing area and alignment, Crosshead pins are hardened and ground steel.
- F) Lubrication:** All power end parts are lubricated by splash system from oil in crankcase reservoir. Power frame has an oil return channel, from front of crossheads back to crankcase, to permit constant circulation of oil and to help keep oil cool.
- G) Pony Rods:** Pony rods are polished stainless steel, independent-not part of crosshead or plunger.
- H) Pony Rod Seal:** Double acting lip seals around pony rod-prevents oil leakage from the inside and precludes contamination entering from the outside.



McFarland – TriTan, LLC
921 Seaco Court, Deer Park, TX 77536
Tel :1-713-864-3366 | Fax : 1-713-864-3252
Email: sales@tritanpump.com, www.tritanpump.com

921 Seaco Court, Deer Park, TX 77536, USA

Tel: 1-713-864-3366 / Fax: 1-713-864-3252

Email: sales@tritanpump.com

www.tritanpump.com