

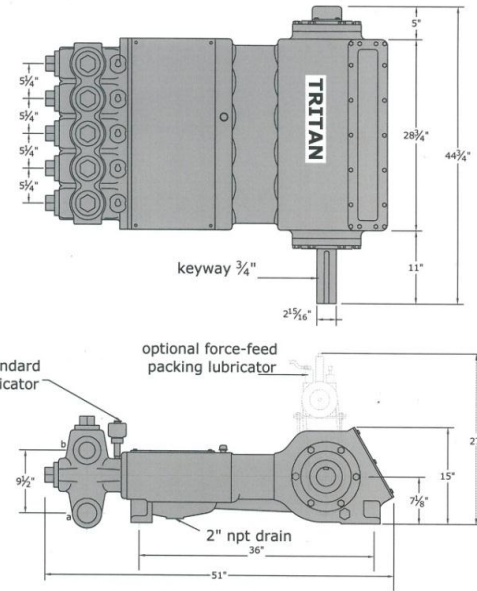
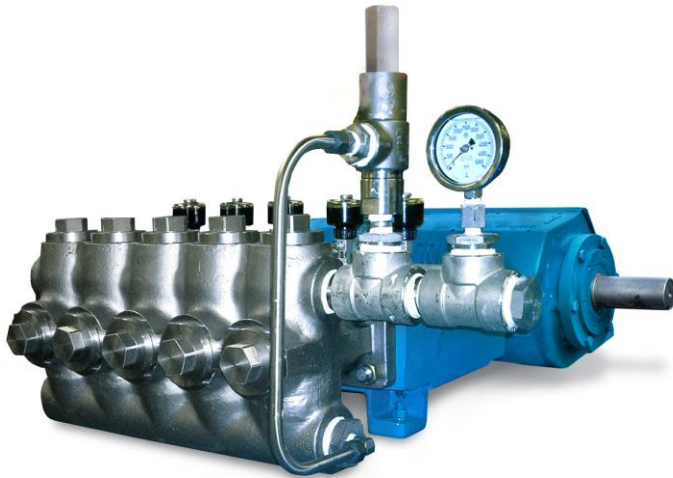


McFarland – TriTan, LLC
 The “High Pressure” Specialists!

Series 5225 AB/DI/SS

Quintuplex Plunger Pumps

Pressure to 5,250 PSI | Flow to 344 GPM | Power to 300 HP



DISPLACEMENT VOLUME (100% VOL.EFF.)			PUMP SPEED IN CRANKSHAFT REVOLUTIONS PER MINUTE									
			1-3/8" 5,250 PSI	1-1/2" 5,000 PSI	1-5/8" 4,500 PSI	1-3/4" 3,850 PSI	2" 2,950 PSI	2-1/4" 2,300 PSI	2-1/2" 1,875 PSI	3" 1,305 PSI		
GPM	BPH	BPD										
15	21	514	104	87	74	64						
20	28	682	138	116	99	85	65	52				
25	36	860	173	145	124	107	82	65	52			
30	43	1,028	207	174	149	128	98	77	65			
40	57	1,369	277	232	198	171	131	103	84	58		
50	72	1,723	346	290	248	213	163	129	105	73		
60	86	2,054	415	348	297	256	196	155	125	87		
70	100	2,408	484	407	347	299	229	181	146	102		
80	114	2,739		465	396	341	261	207	167	116		
90	129	3,093			446	384	294	232	188	131		
100	143	3,423			495	427	327	258	209	145		
120	171	4,108					392	310	251	174		
140	200	4,793					457	361	293	203		
160	228	5,477						413	335	232		
180	257	6,168						465	376	261		
200	285	6,847							418	290		
240	343	8,239							502	349		
280	399	9,576								406		
320	457	10,978								465		
344	492	11,808								500		
GPM FACTOR			0.1446	0.1722	0.2020	0.2343	0.3060	0.3873	0.4782	0.6685		
BPH FACTOR			0.2066	0.2460	0.2885	0.3347	0.4371	0.5532	0.6831	0.9837		
			500 Max RPM BHP=(GPM XPSI) / 1543 All figures based on 100% volumetric efficiency									

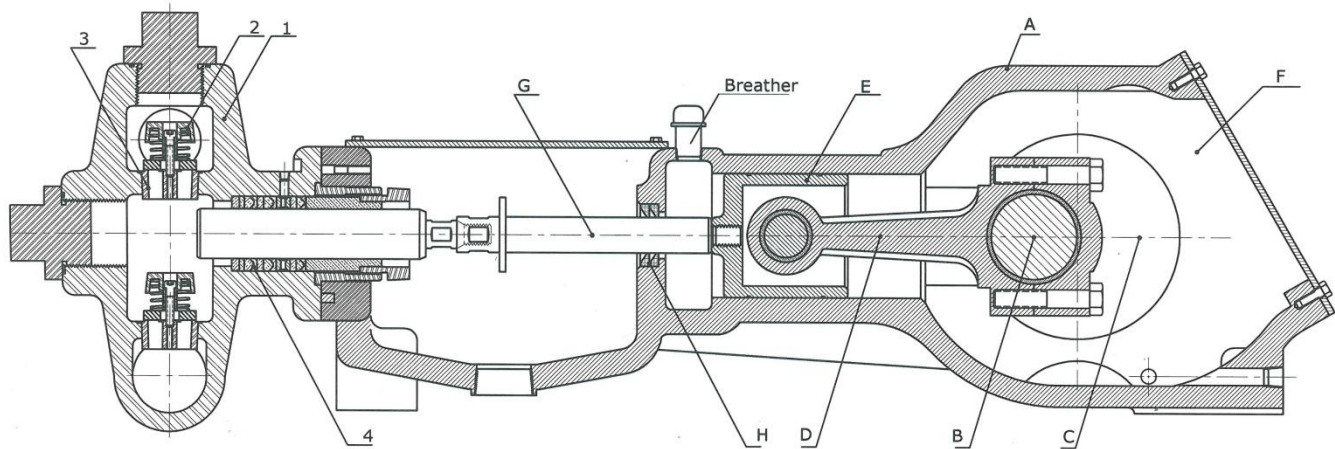
921 Seaco Court, Deer Park, TX 77536, USA

Tel: 1-713-864-3366 / Fax: 1-713-864-3252

Email: sales@tritanpump.com

www.tritanpump.com

Series 5225 AB/DI/SS



SPECIFICATIONS

- * Number of Plungers 5
- * Stroke Length: 4-1/2" (114 mm)
- * Plunger Load 9940 lbs
- * Pump Weight 1875 lbs
- * Oil Capacity 4 U.S gallons
- * Suction Connection 2-1/2" NPT
- * Discharge Connection 2"

FLUID END

- 1) Fluid End Body:** One piece cast ductile iron or Aluminum Bronze.
- 2) Valves:**
 - A- CELCON Valve-Bronze seat or
 - B- CELCON Valve- stainless steel seat.
 - C- Hardened stainless steel valve & seat
- 3) Tapered seated valve decks.**
- 4) Plungers:** Plunger materials available are: colmonoy coated stainless steel, ceramic, and tungsten carbide.

Services:

- * Crude Oil
- * Fresh Water
- * Salt Water
- * Corrosive Fluids

POWER END

- A) Power Frame:** High strength gray iron alloy casting with heavy wall sections well ribbed to insure rigid construction, totally enclosed with sealed access cover
- B) Crankshaft:** Ductile iron for inherent shock load damping, mounted with center line of shaft on center line of cross-head. Crankshafts may extend from either side.
- C) Crankshaft Bearings:** Interchangeable heavy duty roller bearing. Minimum L-10 rated life of 60,000 hours at maximum RPM.
- D) Connecting Rods:** All TriTan plunger pumps are equipped with H-type connecting rods, with replaceable inserts.
- E) Crossheads:** High strength alloy castings, cross head and guides are Cylindrical for maximum bearing area and alignment, Crosshead pins are hardened and ground steel.
- F) Lubrication:** All power end parts are lubricated by splash system from oil in crankcase reservoir. Power frame has an oil return channel, from front of crossheads back to crankcase, to permit constant circulation of oil and to help keep oil cool.
- G) Pony Rods:** Pony rods are polished stainless steel, independent-not part of crosshead or plunger.
- H) Pony Rod Seal:** Double acting lip seals around pony rod-prevents oil leakage from the inside and precludes contamination entering from the outside.



McFarland – TriTan, LLC
921 Seaco Court, Deer Park, TX 77536
Tel :1-713-864-3366 | Fax : 1-713-864-3252
Email: sales@tritanpump.com, www.tritanpump.com

921 Seaco Court, Deer Park, TX 77536, USA

Tel: 1-713-864-3366 / Fax: 1-713-864-3252 Email: sales@tritanpump.com

www.tritanpump.com